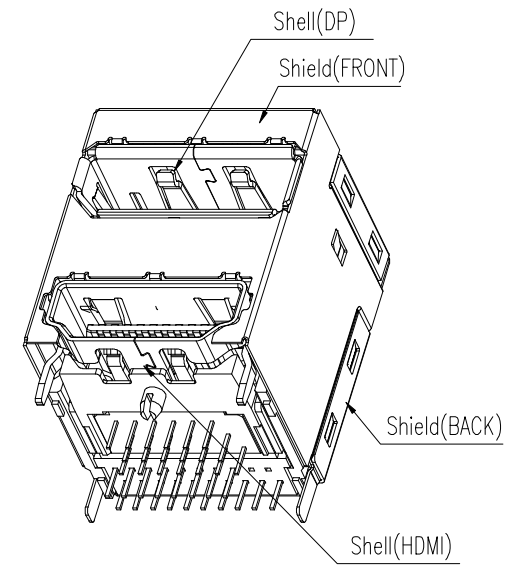
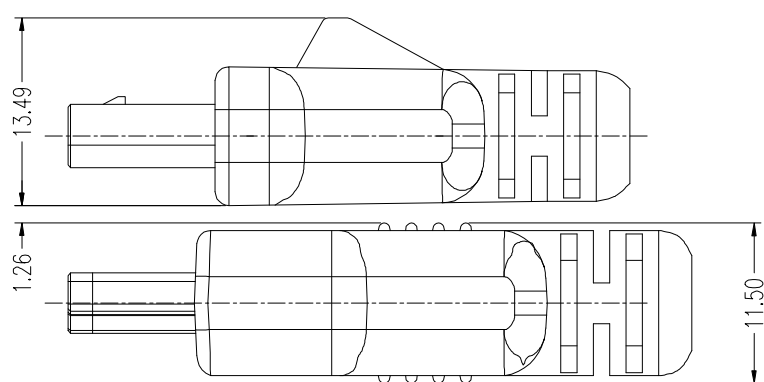
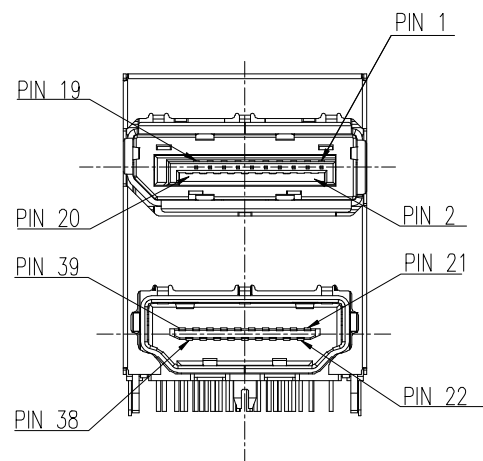


REV.	DESCRIPTION	DATE
A	RELEASED	11/22-'23



PLUG AND CONNECTOR MATED CONDITION

HDMI		DISPLAYPORT		
PIN No.	PIN ASSIGNMENT	PIN No.	SOURCE-SIDE PIN ASSIGNMENT	SINK-SIDE PIN ASSIGNMENT
P21	TMDS DATA2+	P1	ML_Lane 0(p)	ML_Lane 3(n)
P22	TMDS DATA2 SHIELD	P2	GND	GND
P23	TMDS DATA2-	P3	ML_Lane 0(n)	ML_Lane 3(p)
P24	TMDS DATA1+	P4	ML_Lane 1(p)	ML_Lane 2(n)
P25	TMDS DATA1 SHIELD	P5	GND	GND
P26	TMDS DATA1-	P6	ML_Lane 1(n)	ML_Lane 2(p)
P27	TMDS DATA0+	P7	ML_Lane 2(p)	ML_Lane 1(n)
P28	TMDS DATA0 SHIELD	P8	GND	GND
P29	TMDS DATA0-	P9	ML_Lane 2(n)	ML_Lane 1(p)
P30	TMDS CLOCK+	P10	ML_Lane 3(p)	ML_Lane 0(n)
P31	TMDS CLOCK SHIELD	P11	GND	GND
P32	TMDS CLOCK-	P12	ML_Lane 3(n)	ML_Lane 0(p)
P33	CEC	P13	CONFIG1	CONFIG1
P34	RESERVED (N.C. ON DEVICE)	P14	CONFIG2	CONFIG2
		P15	AUX CH (p)	AUX CH (p)
P35	SCL	P16	GND	GND
P36	SDA	P17	AUX CH (n)	AUX CH (n)
P37	DDC/CEC GROUND	P18	HOT PLUG DETECT	HOT PLUG DETE
P38	+5V POWER	P19	RETURN	RETURN
P39	HOT PLUG DETECT	P20	DP PWR	DP PWR

*How to order:

WDPHD-39ACL1BH3Z1

- Z1: Type
- 3: Tray
- H: Halogen Free
- B: Brass
- 1: Black
- L: LCP
- C: WITH POLES(H=22.05)
(Pin Length: 2.20mm)
- Au: A: G/F
- Number Of Contacts
- Series No.

REV	Units	mm	Scale	2:1	Drawing By	Date	WIN WIN PRECISION IND. CO., LTD. D TEL: 886-2-22994155 FAX: 886-2-22994157		
	Tolerance Unless Otherwise Specified				Reviewed By	Date	Date	11/22-'23	Title DP2.0 AND HDMI2.1 COMBO RECPTACLE DIP TYPE CONNECTOR (HDMI#H)(H=22.05)
	.X	~ ±0.38		Approval By	Date	Sheet	2 of 3		
	.XX	~ ±0.25		Third Angle Projection		Drawing No.			
	.XXX	~ ±0.20							
	Angle	~ ± 3°						REV	A

1

2

3

4

5

6

7

8

包裝圖

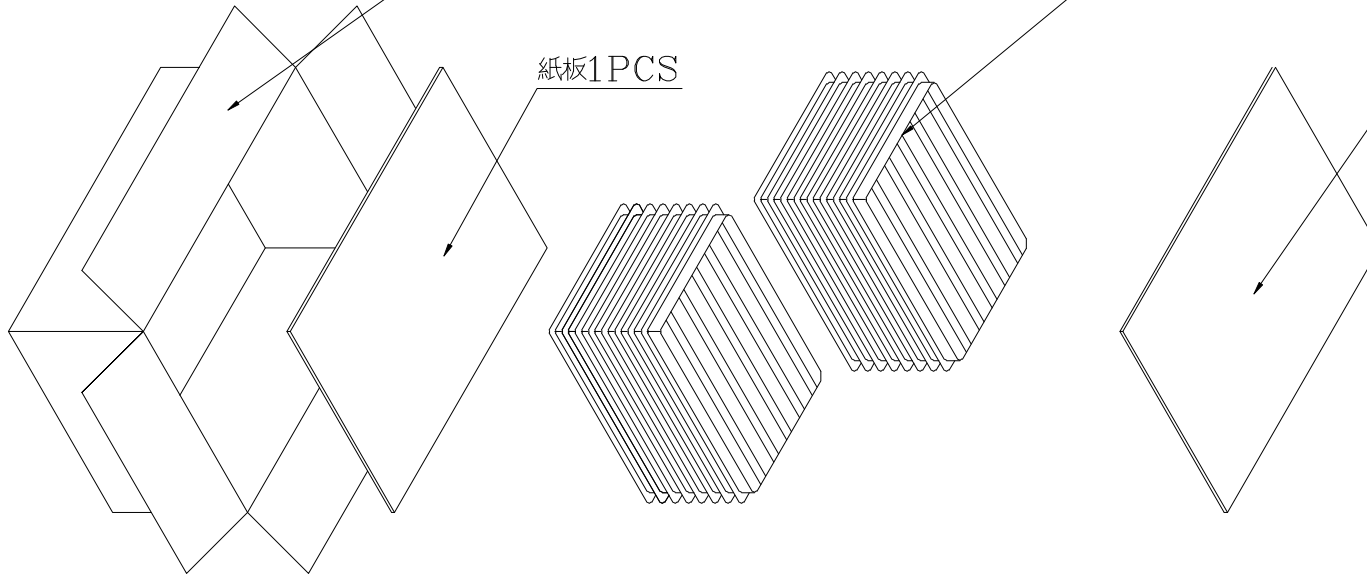
REV.	DESCRIPTION	DATE
A	RELEASED	11/22-'23

紙箱1PCS

紙板1PCS

成品(50PCS/盒)
9X2=18盒

紙板1PCS



加厚紙箱：45x31x22.5 CM

每盤裝50PCS，每9盤一扎，一箱2扎共18盒，900PCS.

A

B

C


D

A

B

C

D

REV				Drawing By	Date	 WIN WIN PRECISION IND. CO., LTD. TEL: 886-2-22994155 FAX: 886-2-22994157			
Units	mm	Scale	2:1	Reviewed By	Date		Date	11/22-'23	Title DP2.0 AND HDMI2.1 COMBO RECPTACLE DIP TYPE CONNECTOR (HDMI#H)(H=22.05)
Tolerance Unless Otherwise Specified				Approval By	Date	Sheet	3 of 3		
	.X	~	±0.38			Third Angle Projection			
	.XX	~	±0.25			Drawing No.			
	.XXX	~	±0.20						
	Angle	~	± 3°						
								REV	A

1

2

3

4

5

6

7

8