

REV.	ECN.NO.	DATE
A	RELEASED	07/29-'15
F	Modify Dimensions	08/31-'18
G	Modify NOTES	11/27-'18

No.	Signal Name	No.	Signal Name
1	TMDS Data2+	11	TMDS Clock Shield
2	TMDS Data2 Shield	12	TMDS Clock-
3	TMDS Data2-	13	CEC
4	TMDS Data1+	14	Reserved (in cable but N.C. on device)
5	TMDS Data1 Shield	15	SCL
6	TMDS Data1-	16	SDA
7	TMDS Data0+	17	DDC/CEC Ground
8	TMDS Data0 Shield	18	+5V Power
9	TMDS Data0-	19	Hot Plug Detect
10	TMDS Clock+		

**NOTES:**

**\*Material**

Housing: LCP, UL 94V-0 Rated; Color: Black.  
 Shell: Brass.  
 Plating: Ni(40u" Min.) Plating .  
 Contact: Brass.  
 Plating: Au plating on contact area;  
 Sn(100u" Min.) plating on solder tail;  
 Ni(50u" Min.) underplating overall.

**\*Electrical Specification**

Operation Voltage: 40 VAC max.  
 Current Rating: 0.5 Ampere per contact  
 Contact Resistance: 10 mΩ max.  
 Insulation Resistance: 100 MΩ min.  
 Dielectric Withstanding Voltage: 500 VAC

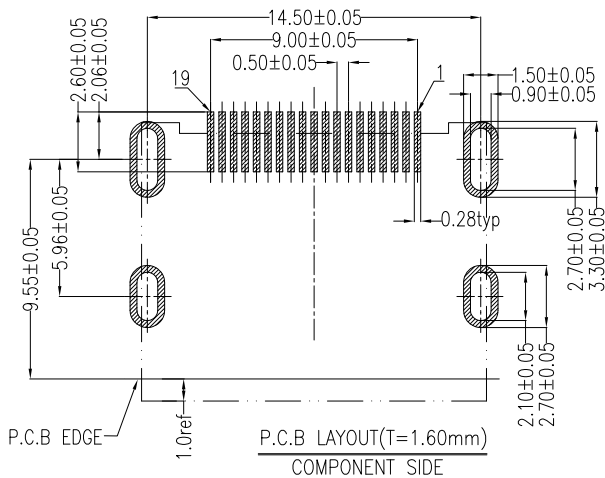
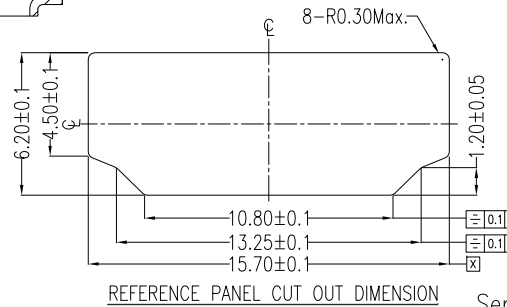
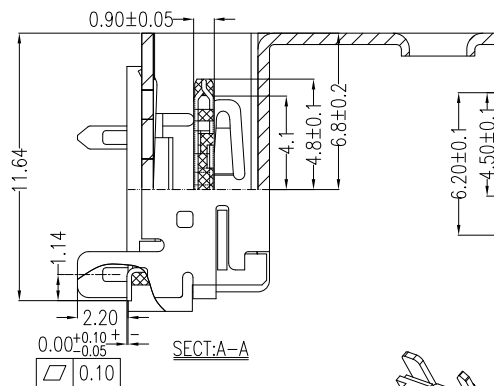
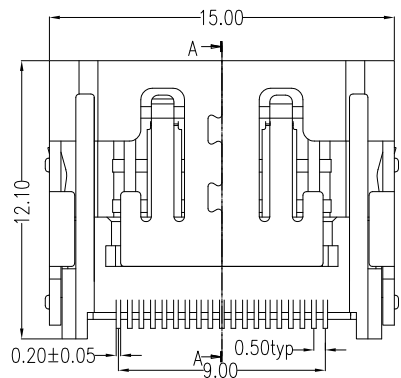
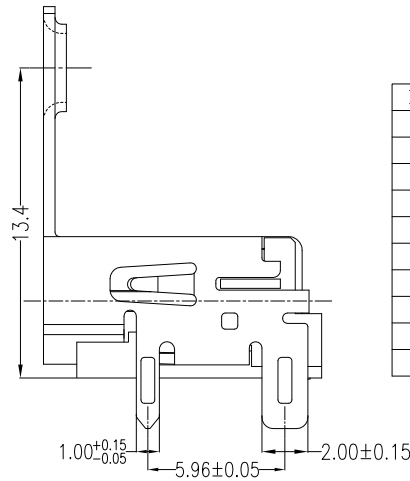
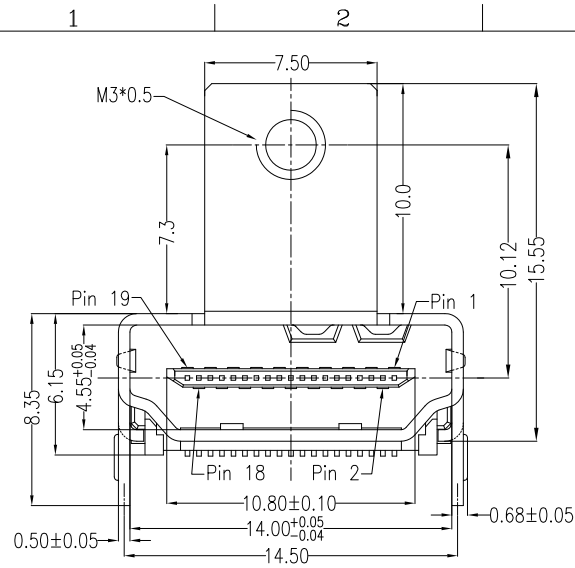
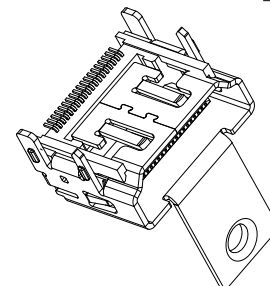
**\*Environmental**

Operating Temperature: -55°C to +85°C

**\*How To Order**

WDMI-19D4L1BH3U1

Series NO. \_\_\_\_\_ W:Winning Mark  
 Number of Contacts \_\_\_\_\_ Blank:No Mark  
 Au A:>0.8u" \_\_\_\_\_ 1:Ni  
 D:15u" F:30u" \_\_\_\_\_ U:Lead Free  
 4:SMT(Molding) \_\_\_\_\_ 3:Tray 5:Reel  
 L: LCP \_\_\_\_\_ H:With Flange(7.5)  
 1:Black \_\_\_\_\_ (High7.3)  
 \_\_\_\_\_ B:Brass



REV				Modify NOTES: Contact Plating: Ni(40u" Min.) → Ni(50u" Min.)			
Units	mm	Scale	3:1	Drawing By	Date	WIN WIN PRECISION IND. CO., LTD.	
Tolerance Unless Otherwise Specified				ZHW	11/27-'18	TEL: 886-2-22994155 FAX: 886-2-22994157	
.X	~	±0.35		Reviewed By	Date	Date	11/27-'18
.XX	~	±0.25		LDF	11/27-'18	Sheet	1 of 1
.XXX	~	±0.15		Approval By	Date	Third Angle Projection	Title
Angle	~	± 3°		Nancy	12/17-'18	High Definition Media Interface 19PIN(Molding)SMT Type (With Flange-7.5mm)(High7.3)	
						Drawing No.	WDMI-19PS-AN-N117
						REV	G