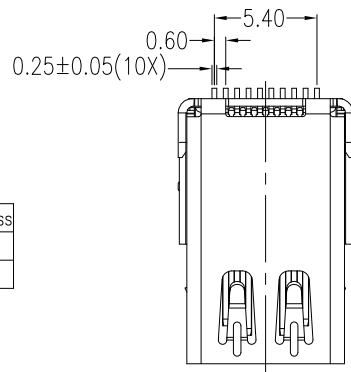


REV.	ECN.NO.	DATE
A	RELEASED	06/13-'10
F	ADD DIM \square 0.10	07/27-'18
G	Correct Contact Material	12/14-'20

Unit:mm

Part NO.	Dim A	P.C.B Thickness
WMDR-20*B***	3.10	2.50
WMDR-20*A***	2.15~2.30	1.60



Top Row			Bottom Row		
Pin NO.	Signal Type	Pin Name	Pin NO.	Signal Type	Pin Name
1	GND	GND	2	In	HotPlug Detect
3	Out	ML_Lane 0(p)	4	CONFIG	CONFIG1
5	Out	ML_Lane 0(n)	6	CONFIG	CONFIG2
7	GND	GND	8	GND	GND
9	Out	ML_Lane 1(p)	10	Out	ML_Lane 3(p)
11	Out	ML_Lane 1(n)	12	Out	ML_Lane 3(n)
13	GND	GND	14	GND	GND
15	Out	ML_Lane 2(p)	16	I/O	AUX_CH(p)
17	Out	ML_Lane 2(n)	18	I/O	AUX_CH(n)
19	GND	GND	20	PWR Out	DP_PWR

NOTES:

*Material

Body: LCP UL94V-0.
 Insert(Molding): LCP UL94V-0.
 Retainer: LCP UL94V-0.
 Contact: Copper Alloy;
 Plating: Au plating on contact area;
 Sn(100u" Min.) plating on solder tail;
 Ni(40u" Min.) underplating overall.
 Shell: Brass;
 Plating: Ni(50u" Min.) Plating .

*Mechanical

Insertion Force: 4.5Kg Max
 Withdrawal Force: 1.0~4.0Kg Min
 Durability: 10000 Cycles

*Electrical Specification

Current Rating: 0.5 Ampere per contact
 Contact Resistance: 30 mΩ max.
 Insulation Resistance: 100MΩ Min
 Dielectric Withstanding Voltage: 500V AC Min

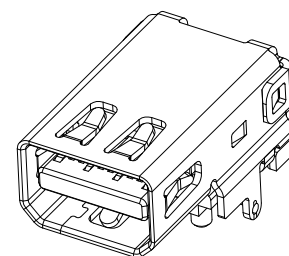
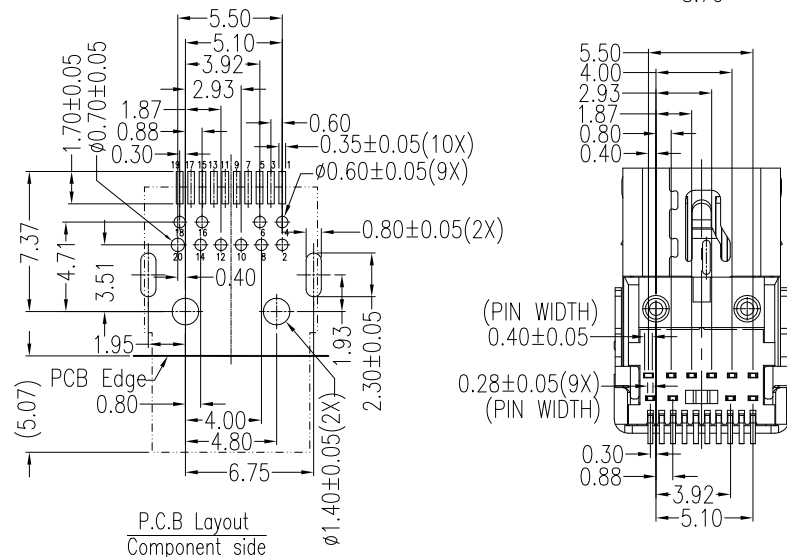
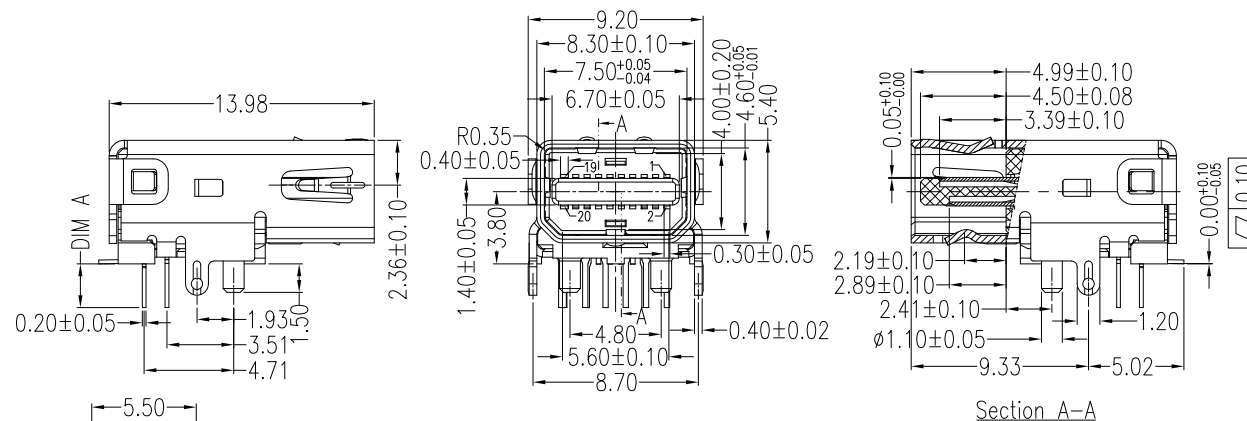
*Environmental

Operating Temperature: -40°C to +85°C.

*How To Order:

WMDR-20FAL1PH 4

- 4:Tube 5:Reel
- Blank:NO Mark
- H:Halogen Free+RoHs-Compliance
- P:Copper Alloy
- 1:Black
- L:LCP
- B:DIP(3.1)+SMT(Height 3.8)
- A:DIP(2.15~2.3)+SMT(Height 3.8)
- Au A:>0.8u" D:15u" F:30u"
- Number of contacts
- Mini Displayport Receptacle



REV Correct Contact Material: Copper Alloy

Units	mm	Scale	5:2	Drawing By	Date
				CXS	12/14-'20
Tolerance Unless Otherwise Specified				Reviewed By	Date
.X	~	±0.35		LZX	12/15-'20
.XX	~	±0.25		Approval By	Date
.XXX	~	±0.15		Nancy	12/22-'20
Angle	~	± 3°			

WIN WIN PRECISION IND. CO., LTD. TEL: 886-2-22994155 FAX: 886-2-22994157		Date	12/14-'20	Title	Mini Displayport Receptacle DIP+SMT (APPLE 3.8) No Mark
		Sheet	1 of 1		
Third Angle Projection		Drawing No.	WMDR-20PS-AN-NO72	REV	G