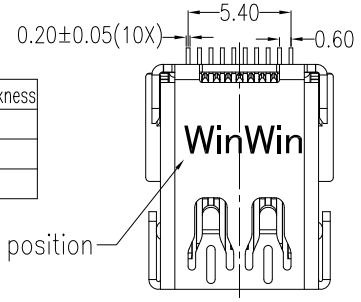


REV.	ECN.NO.	DATE
A	RELEASED	06/13/10
J	Correct Contact Changes PIN WIDTH	12/14-'20
K	Modify date code font, location	05/07-'21

Unit:mm

Part NO.	Dim A	P.C.B Thickness
WMDR-20*F***	1.60	1.00
WMDR-20*G***	2.15~2.30	1.60
WMDR-20*8***	3.10	2.50



Top Row			Bottom Row		
Pin NO.	Signal Type	Pin Name	Pin NO.	Signal Type	Pin Name
1	GND	GND	2	In	HotPlug Detect
3	Out	ML_Lane 0(p)	4	CONFIG	CONFIG1
5	Out	ML_Lane 0(n)	6	CONFIG	CONFIG2
7	GND	GND	8	GND	GND
9	Out	ML_Lane 1(p)	10	Out	ML_Lane 3(p)
11	Out	ML_Lane 1(n)	12	Out	ML_Lane 3(n)
13	GND	GND	14	GND	GND
15	Out	ML_Lane 2(p)	16	I/O	AUX_CH(p)
17	Out	ML_Lane 2(n)	18	I/O	AUX_CH(n)
19	GND	GND	20	PWR Out	DP_PWR

NOTES:

***Material**

Body: LCP UL94V-0.
 Insert(Molding): LCP UL94V-0.
 Retainer: LCP UL94V-0.
 Contact: Copper Alloy;
 Plating: Au plating on contact area;
 Sn(100u" Min.) plating on solder tail;
 Ni(50u" Min.) underplating overall.
 Shell: Brass;
 Plating: Ni(50u" Min.) Plating .

***Mechanical**

Insertion Force: 4.5Kg Max
 Withdrawal Force: 1.0~4.0Kg Min
 Durability: 10000 Cycles

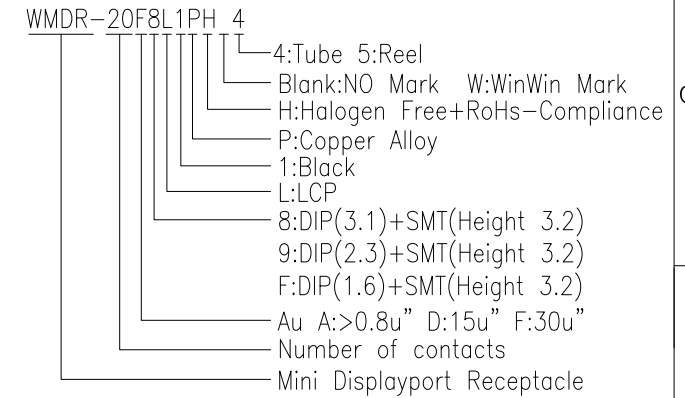
***Electrical Specification**

Current Rating: 0.5 Ampere per contact
 Contact Resistance: 30 mΩ max.
 Insulation Resistance: 100MΩ Min
 Dielectric Withstanding Voltage: 500V AC Min

***Environmental**

Operating Temperature: -40°c to +85°c.

***How To Order:**

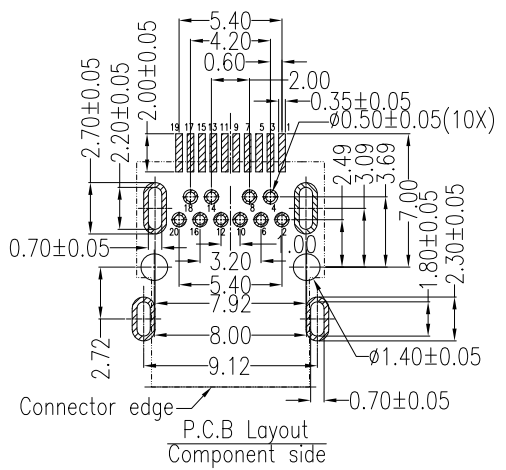
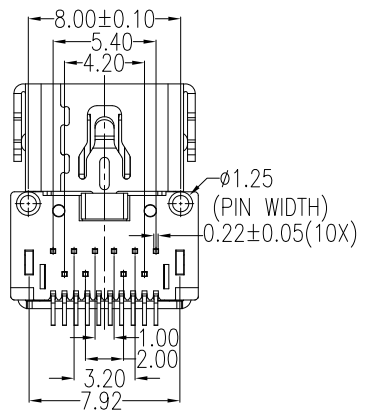
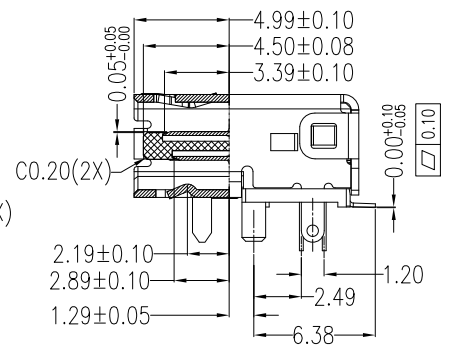
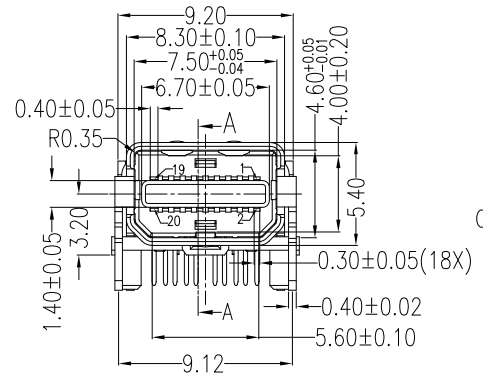
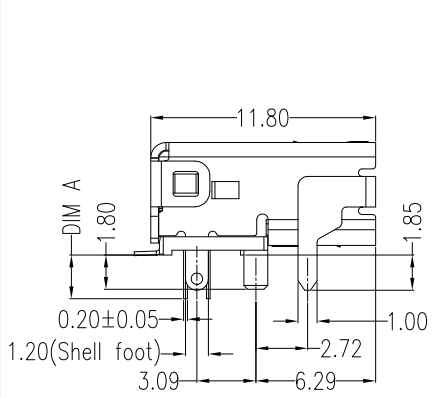


A

B

C

D



REV	Modify date code font, location	Drawing By	Date	WIN WIN PRECISION IND. CO., LTD. TEL: 886-2-22994155 FAX: 886-2-22994157
Units	mm Scale 5:2	ZT	05/07-'21	
Tolerance Unless Otherwise Specified		Reviewed By	Date	Title Mini Displayport Receptacle DIP+SMT (JAE 3.2) No Mark
.X ~ ±0.35		Charles	05/28-'21	
.XX ~ ±0.25		Approval By	Date	
.XXX ~ ±0.15		Nancy	06/01-'21	
Angle ~ ± 3°		Third Angle Projection		Sheet 1 of 1 Drawing No. WMDR-20PS-AN-N099 REV K