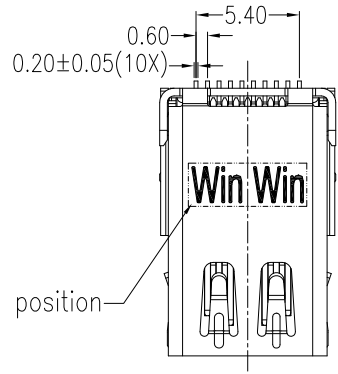


REV.	ECN.NO.	DATE
A	RELEASED	05/14-'09
H	Modif View	02/23-'17
I	Correct Contact material	12/14-'20

Unit:mm

Part NO.	Dim A	P.C.B Thickness
WMDR-20*1***	2.15~2.30	1.60
WMDR-20*2***	3.10	2.50



Top Row			Bottom Row		
Pin NO.	Signal Type	Pin Name	Pin NO.	Signal Type	Pin Name
1	GND	GND	2	In	HotPlug Detect
3	Out	ML_Lane 0(p)	4	CONFIG	CONFIG1
5	Out	ML_Lane 0(n)	6	CONFIG	CONFIG2
7	GND	GND	8	GND	GND
9	Out	ML_Lane 1(p)	10	Out	ML_Lane 3(p)
11	Out	ML_Lane 1(n)	12	Out	ML_Lane 3(n)
13	GND	GND	14	GND	GND
15	Out	ML_Lane 2(p)	16	I/O	AUX_CH(p)
17	Out	ML_Lane 2(n)	18	I/O	AUX_CH(n)
19	GND	GND	20	PWR Out	DP_PWR

**NOTES:**

**\*Material**  
 Body: LCP UL94V-0.  
 Insert(Molding): LCP UL94V-0.  
 Retainer: LCP UL94V-0.  
 Contact: Copper Alloy;  
 Plating: Au plating on contact area;  
 Sn(100u" Min.) plating on solder tail;  
 Ni(50u" Min.) underplating overall.  
 Shell: Brass;  
 Plating: Ni(50u" Min.) Plating .

**\*Mechanical**

Insertion Force: 4.5Kg Max  
 Withdrawal Force: 1.0~4.0Kg Min  
 Durability: 10000 Cycles

**\*Electrical Specification**

Current Rating: 0.5 Ampere per contact  
 Contact Resistance: 30 mΩ max.  
 Insulation Resistance: 100MΩ Min  
 Dielectric Withstanding Voltage: 500V AC Min

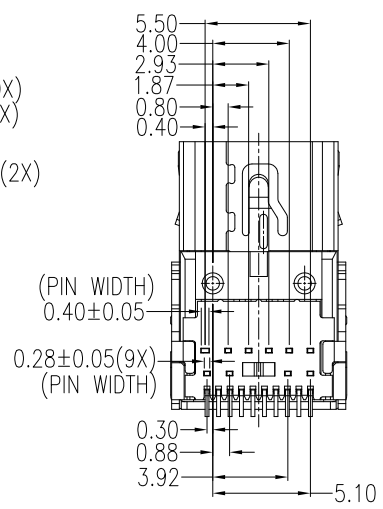
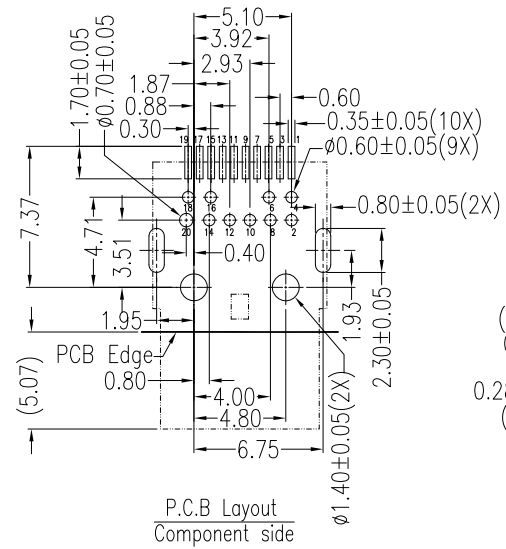
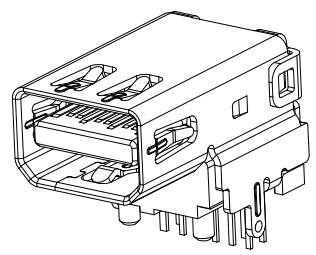
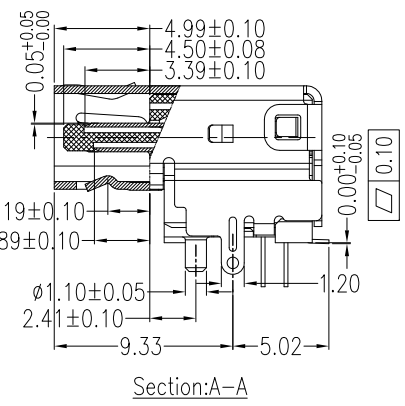
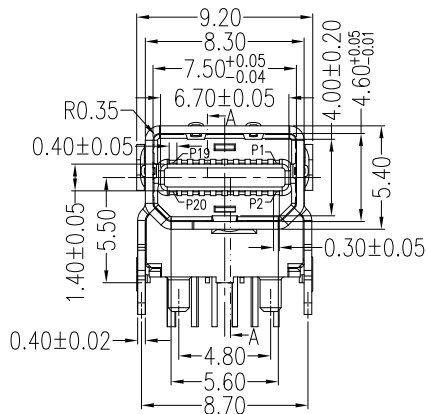
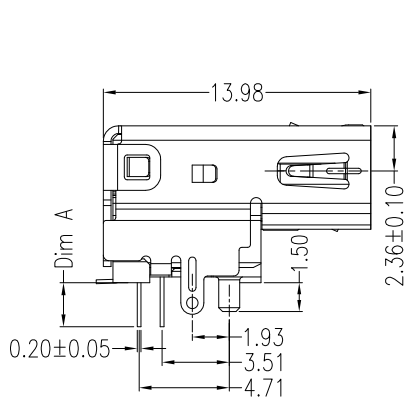
**\*Environmental**

Operating Temperature: -40°c to +85°c.

**\*How To Order:**

WMDR-20F1L1PH 4

- 4:Tube,5:Reel
- Blank:NO Mark W:WinWin Mark
- H:Halogen Free+RoHS-Compliance
- P:Copper Alloy
- 1:Black
- L:LCP
- 1:DIP(2.3)+SMT 2:DIP(3.1)+SMT
- Au A:>0.8u" D:15u" F:30u"
- Number of contacts
- Mini Displayport Receptacle



REV	Correct Contact material: Copper Alloy			Drawing By		Date		WIN WIN PRECISION IND. CO., LTD.			
	Units	mm	Scale	7:3	CXS	12/14-'20			TEL: 886-2-22994155 FAX: 886-2-22994157		
	Tolerance Unless Otherwise Specified				Reviewed By	Date	Date	12/14-'20	Title		Mini Displayport Receptacle DIP+SMT (APPLE 5.5) No Mark
	.X	~ ±0.35		LZX	12/15-'20	Sheet	1 of 1	Third Angle Projection			
	.XX	~ ±0.25		Approval By	Date	Drawing No.		WMDR-20PS-AN-N042		REV	I
	.XXX	~ ±0.15		Nancy	12/22-'20						
	Angle	~ ± 3°									