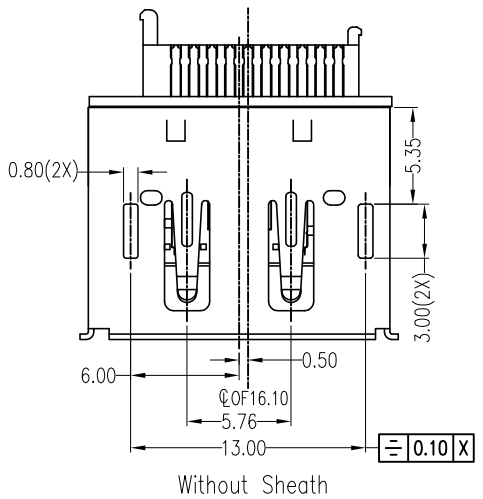
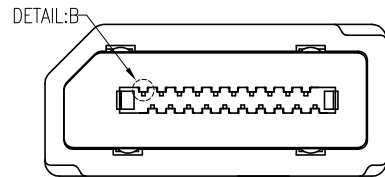


REV.	ECN.NO.	DATE
A	RELEASED	06/04-'14
B	Improving Tin drop and increasing rib	09/20-'18



NOTES:

***Material**

Housing&Sheath: LCP,UL 94V-0 Rated; Color:Black
 Shell: SUS.
 Plating: Ni(40u" Min.) Plating .
 Contact: Brass.
 Plating: Au plating on contact area;
 Sn(100u" Min.) plating on solder tail;
 Ni(40u" Min.) underplating overall.

***Electrical Specification**

Operation Voltage: 40 VAC max.
 Current Rating: 0.5 Ampere per contact
 Contact Resistance: 30mΩ max.
 Insulation Resistance: 100MΩ min.
 Dielectric Withstanding Voltage: 500 VAC

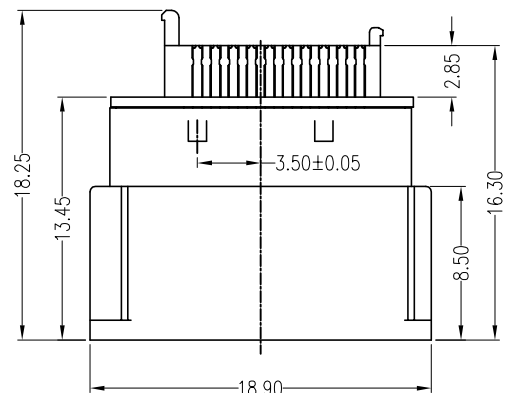
***Environmental**

Operating Temperature: -20°C to +85°C

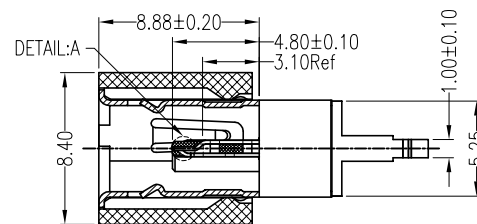
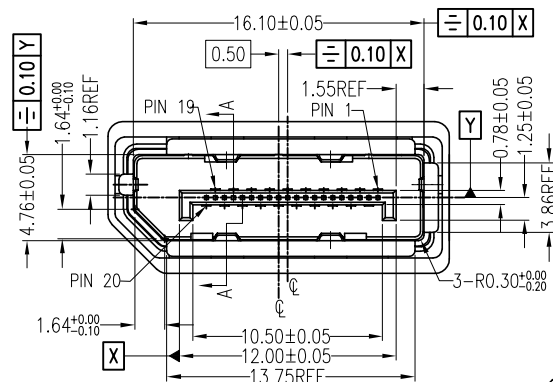
***How To Order**

WDPM-20D7L1BNU3N

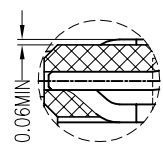
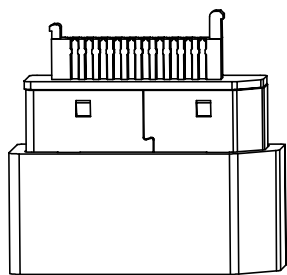
Series NO. _____ N:No Mark
 NO. of Contacts _____ W:Winning Mark
 Au: A:>0.8u" _____ 3:Tray
 B:5u" D:15u" F:30u" _____ U:Lead Free
 7:Solder(Sector 0.25) _____ N:No Flange
 L:LCP _____ B:Brass
 _____ 1:Black



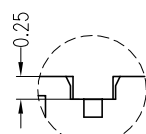
No.	Signal Type	No.	Signal Type
1	In	11	GND
2	GND	12	In
3	In	13	CONFIG(see note 1)
4	In	14	CONFIG(see note 1)
5	GND	15	I/O
6	In	16	GND
7	In	17	I/O
8	GND	18	Out
9	In	19	RTN
10	In	20	Power Out(see note 2)



Sect A-A



Detail: A
Scale 5:1



Detail: B
Scale 5:1

REV Lmproving Tin drop and increasing rib				Drawing By		Date		WIN WIN PRECISION IND. CO., LTD.			
Units	mm	Scale	2:1	CXS	09/20-'18	WINNING TEL: 886-2-22994155 FAX: 886-2-22994157		Date	09/20-'18	Title	DisplayPort External Male Solder type(Sector 0.25)
Tolerance Unless Otherwise Specified				Reviewed By	Date	Sheet	1 of 1	Title	Drawing No.		
.X ~ ±0.35				LDF	09/21-'18						
.XX ~ ±0.25				Approval By	Date						
.XXX ~ ±0.15				Nacey	10/02-'18	Third Angle Projection					
Angle ~ ± 3°										WDPM-20PS-AN-N114	REV B