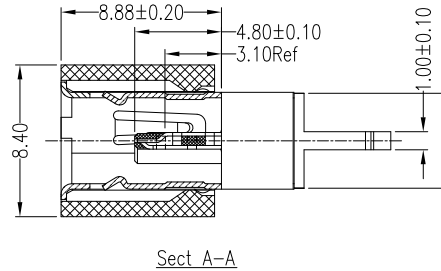
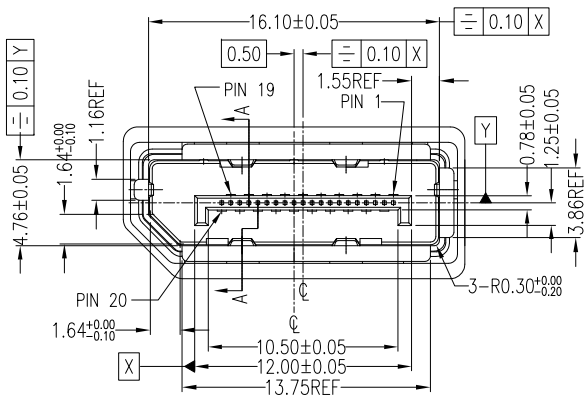
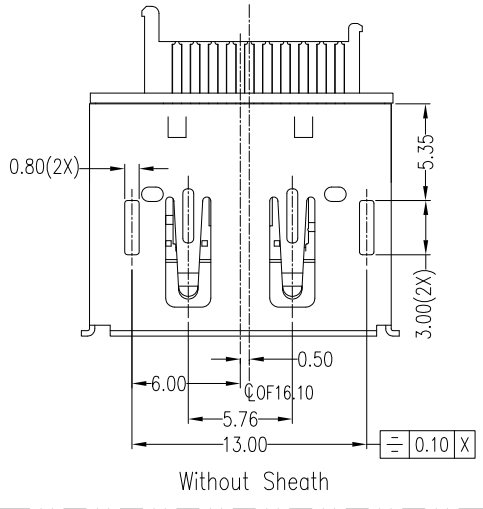
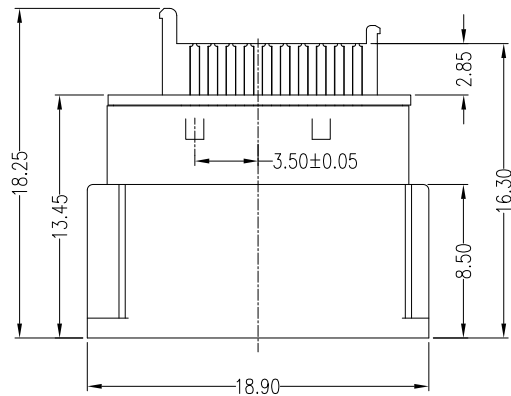
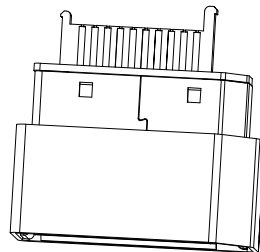


REV.	ECN.NO.	DATE
A	RELEASED	01/09-'12
D	Replace the shell material	12/27-'12
E	Cancel the specification: D:15u"	01/11-'17



No.	Signal Type	No.	Signal Type
1	In	11	GND
2	GND	12	In
3	In	13	CONFIG(see note 1)
4	In	14	CONFIG(see note 1)
5	GND	15	I/O
6	In	16	GND
7	In	17	I/O
8	GND	18	Out
9	In	19	RTN
10	In	20	Power Out(see note 2)



REV Cancel the specification: D:15u"

Units	mm	Scale	2:1
Tolerance Unless Otherwise Specified			
.X	~	±0.35	
.XX	~	±0.25	
.XXX	~	±0.15	
Angle	~	± 3°	

Drawing By	Date
Lulu	01/20-'17
Reviewed By	Date
Rosh	01/20-'17
Approval By	Date
Roger	01/20-'17

WIN WIN PRECISION IND. CO., LTD.
 WINNING TEL: 886-2-22994155 FAX: 886-2-22994157

Date: 01/11-'17
 Sheet: 1 of 1
 Title: DisplayPort External Male Solder type
 Third Angle Projection
 Drawing No: WDPM-20PS-AN-N084 REV E

NOTES:

***Material**

Housing&Sheath: LCP,UL 94V-0 Rated;
 Color:Black And White
 Shell: SUS.
 Plating: Ni(40u" Min.) Plating .
 Contact: Brass.
 Plating: Au plating on contact area;
 Sn(100u" Min.) plating on solder tail;
 Ni(40u" Min.) underplating overall.

***Electrical Specification**

Operation Voltage: 40 VAC max.
 Current Rating: 0.5 Ampere per contact
 Contact Resistance: 30mΩ max.
 Insulation Resistance: 100MΩ min.
 Dielectric Withstanding Voltage: 500 VAC

***Environmental**

Operating Temperature: -20°C to +85°C

***How To Order**

WDPM-20A6L1BNU3N

Series NO. _____ N:No Mark
 NO. of Contacts _____ W:Winning Mark
 Au: A:>0.8u" _____ 3:Tray 5:Reel
 B:5u" F:30u" _____ U:Lead Free
 6:Solder _____ N:No Flange
 L:LCP _____ B:Brass
 _____ 1:Black 3:White