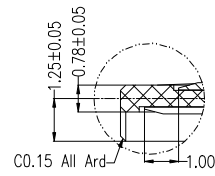
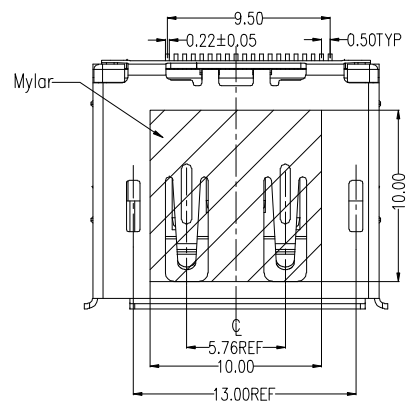
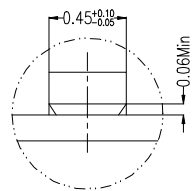


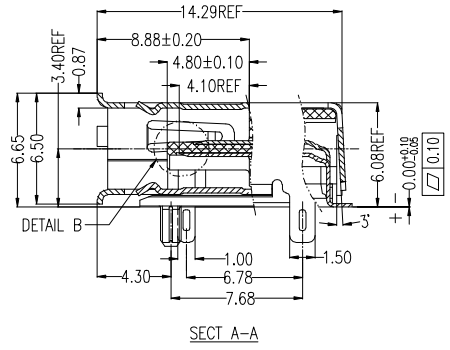
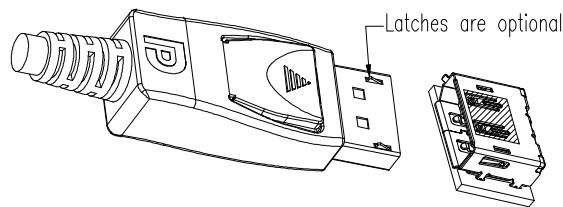
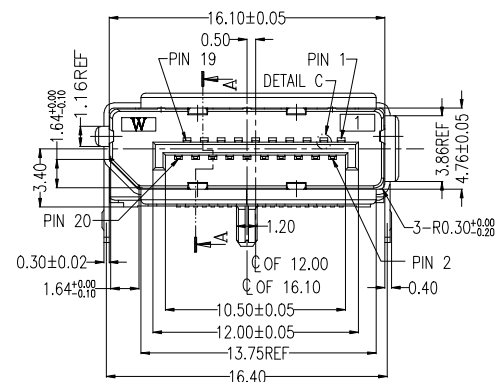
REV.	ECN.NO.	DATE
A	RELEASED	01/07-'22
B	Delete discontinued item No	07/12-'23



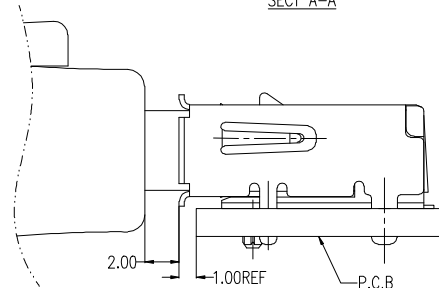
Detail: B  
Scale 2:1



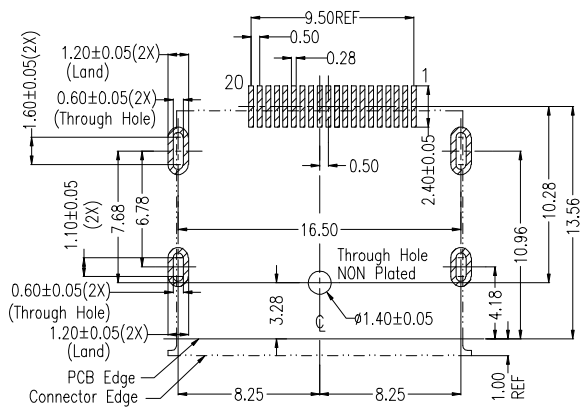
Detail: C  
Scale 10:1



SECT A-A



Fully mated condition



P.C.B Layout(T=1.60mm)  
COMPONENT SIDE

Notes:

\*Material

Housing: LCP,UL 94V-0.  
Shell: Brass.  
Plating: Ni(50u" Min) Plating.  
Contact: Brass.  
Plating: Au plating on contact area;  
Sn(100u" Min.) plating on solder tail;  
Ni(50u" Min.) underplating overall.

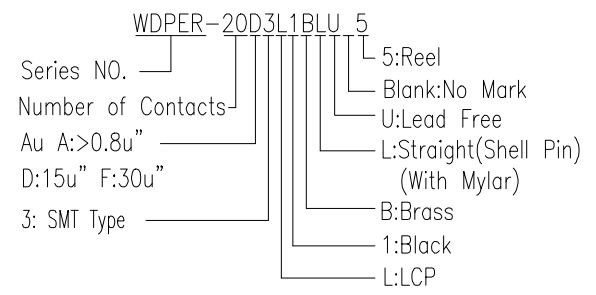
\*Electrical Specification

Operation Voltage: 40V AC max.  
Current Rating: 0.5 Ampere per contact  
Contact Resistance: 30 mΩ max.  
Insulation Resistance: 100 MΩ min.  
Dielectric Withstanding Voltage: 500V AC

\*Environmental

Operating Temperature: -20°C to +85°C

\*How To Order



REV Delete discontinued item No.:3:Tray		Drawing By		Date	
Units	mm	Scale	1:1	ZT	07/12-'23
Tolerance Unless Otherwise Specified		Reviewed By		Date	
.X ~ ±0.35		Charles		07/13-'23	
.XX ~ ±0.25		Approval By		Date	
.XXX ~ ±0.15		Nancy		07/17-'23	
Angle ~ ± 3°		Date		07/12-'23	

		<b>WIN WIN PRECISION IND. CO., LTD.</b> TEL: 886-2-22994155 FAX: 886-2-22994157	
Date	07/12-'23	Title	DisplayPort Receptacle (Female) SMT Type(Straight)(With Mylar)
Sheet	1 of 1		
Third Angle Projection		Drawing No.	WDPER-20PS-AN-N137
		REV	B