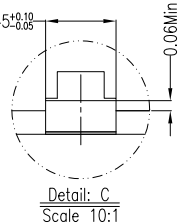
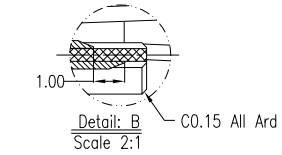
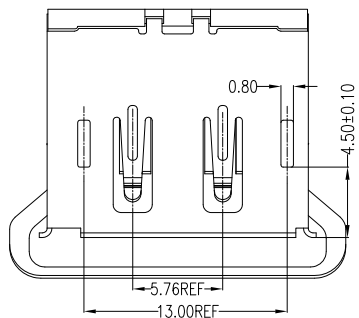


REV.	ECN.NO.	DATE
A	RELEASED	11/18/08



Pin No.	Signal Type	Pin No.	Signal Type
1	In	11	GND
2	GND	12	In
3	In	13	CONFIG(see note 1)
4	In	14	CONFIG(see note 1)
5	GND	15	I/O
6	In	16	GND
7	In	17	I/O
8	GND	18	Out
9	In	19	RTN
10	In	20	Power Out(see note 2)

NOTES:

***Material**
 Body: LCP, UL 94V-0 Rated; Color: Black.
 Shield: Brass.
 Shield Plating: Nickle Plating.
 EMI Clip: Stainless Steel.
 Contact: Brass.
 Contact Plating: Tin Plating On Solder Tail.
 Gold Plating Over Nickel on Contact Area;

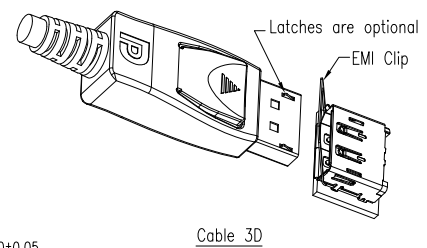
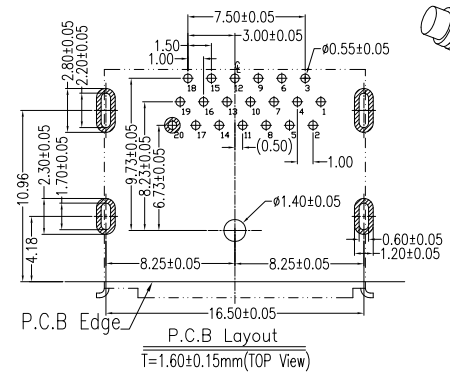
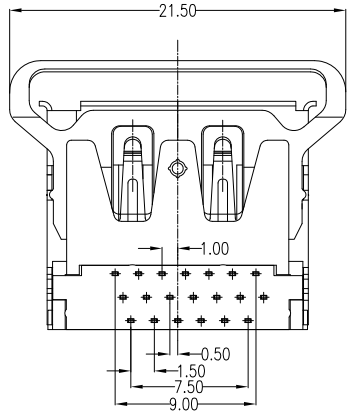
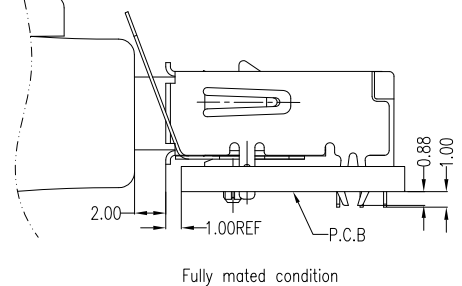
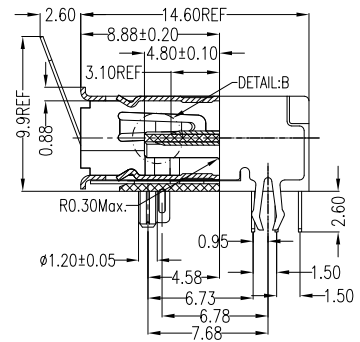
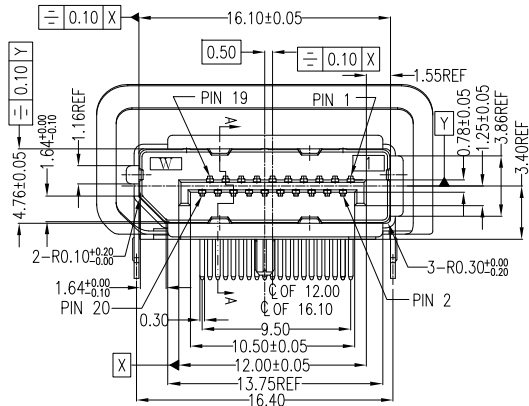
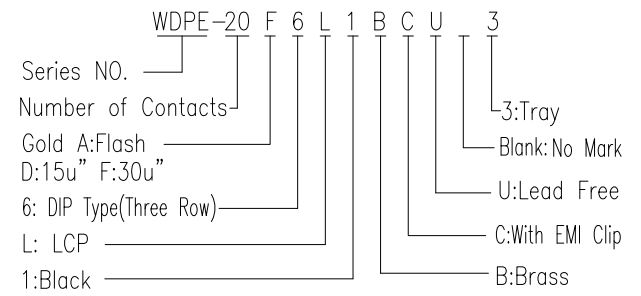
***Electrical Specification**

Operation Voltage: 40 VAC max.
 Current Rating: 0.5 Ampere per contact
 Contact Resistance: 30 Milliohms max.
 Insulation Resistance: 100 Megohms min.
 Dielectric Withstanding Voltage: 500 VAC

***Environmental**

Operating Temperature: -20°C to +85°C

***How To Order**



REV	Units	mm	Scale	1:1	Drawing By	Data	WIN WIN PRECISION IND. CO., LTD. TEL: 886-2-22994155 FAX: 886-2-22994157	Date 11/18/08 Sheet 1 of 1 Title DisplayPort External DIP Type Male Three Row Connector(With EMI Clip)
					Lulu	11/19/08		
					Reviewed By	Data		
					Rosh	11/19/08		
					Approval By	Data		
					Roger	11/19/08		
					Angle	± 3°		

A
B
C
D

A
B
C