

REV.	ECN.NO.	DATE
A	RELEASED	06/11-'09
G	Modify the relevant size	12/15-'16
H	Modify Contance Plating	03/12-'21

**NOTES:**

**\*Material**

Housing: LCP, UL94V-0 Rated.  
 Shield: Brass.  
 Plating: Ni(40u" Min.) Plating .  
 Contact: Brass.  
 Plating: Au plating on contact area;  
 Sn(100u" Min.) plating on solder tail;  
 Ni(50u" Min.) underplating overall.

**\*Electrical Specification**

Operation Voltage: 40 VAC max.  
 Current Rating: 0.5 Ampere per contact  
 Contact Resistance: 30 Milliohms max.  
 Insulation Resistance: 100 Megohms min.  
 Dielectric Withstanding Voltage: 500 VDC

**\*Environmental**

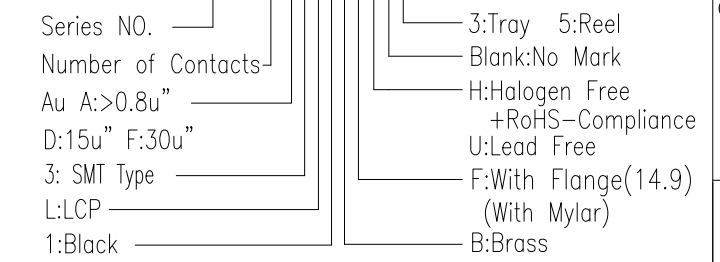
Operating Temperature: -20°C to +85°C

**\*Mechanical**

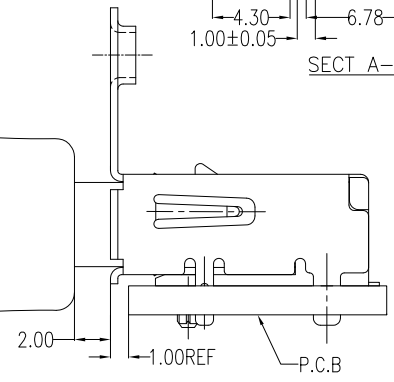
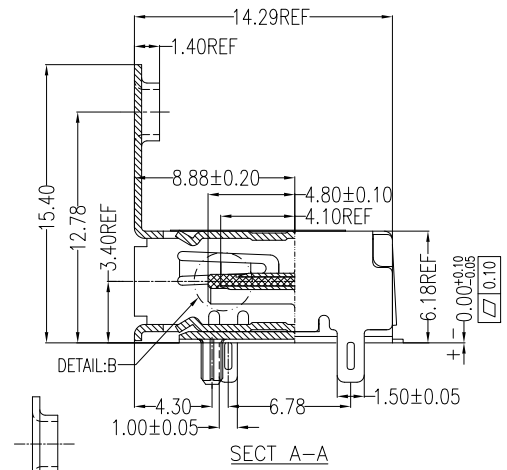
Female Screw Lock Torque: 3Kgf-cm Max.

**\*How To Order**

WDPE-20F3L1BFH 3



Pin No.	Signal Type	Pin No.	Signal Type
1	In	11	GND
2	GND	12	In
3	In	13	CONFIG(see note 1)
4	In	14	CONFIG(see note 1)
5	GND	15	I/O
6	In	16	GND
7	In	17	I/O
8	GND	18	Out
9	In	19	RTN
10	In	20	Power Out(see note 2)



REV	Modify Contance Plating: Ni (40u"Min) → Ni (50u"Min)		
Units	mm Scale 1:1		
Tolerance Unless Otherwise Specified			
.X	~ ±0.35		
.XX	~ ±0.25		
.XXX	~ ±0.15		
Angle	~ ± 3°		
Drawing By	WVY		
Date	03/12-'21		
Reviewed By	Charles		
Date	03/12-'21		
Approval By	Nancy		
Date	03/15-'21		
		WIN WIN PRECISION IND. CO., LTD. TEL: 886-2-22994155 FAX: 886-2-22994157	
Date	03/12-'21	Title	DisplayPort Receptacle (Female) SMT Type(With Flange 14.9)
Sheet	1 of 1		
Drawing No.		WDPE-20PS-AN-N43	REV H

