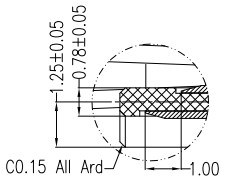
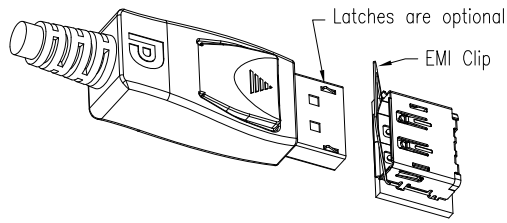
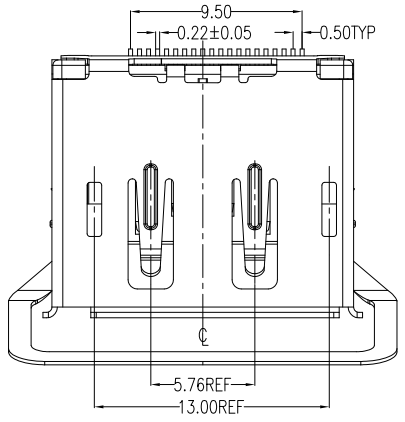


REV.	ECN.NO.	DATE
A	RELEASED	05/08-'14
C	Modify View; 0.88 → 0.87	12/13-'16
D	Modify Contact Plating	03/12-'21



Detail: B
Scale 2:1



NOTES:

***Material**

- Housing: LCP,UL 94V-0Rated.
- Shield: Brass.
- Plating: Ni(40u" Min.) Plating .
- EMI Clip: Stainless Steel.
- Contact: Brass.
- Plating: Au Plating on contact area,
Sn(100u"Min) plating on Solder tail,
Ni(50u" Min) underplating overall;

***Electrical Specification**

- Operation Voltage: 40 VAC max.
- Current Rating: 0.5 Ampere per contact
- Contact Resistance: 30 mΩ max.
- Insulation Resistance: 100 MΩ min.
- Dielectric Withstanding Voltage: 500 VDC

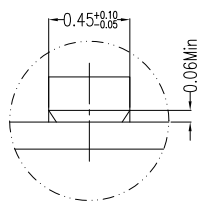
***Environmental**

- Operating Temperature: -20°C to +85°C

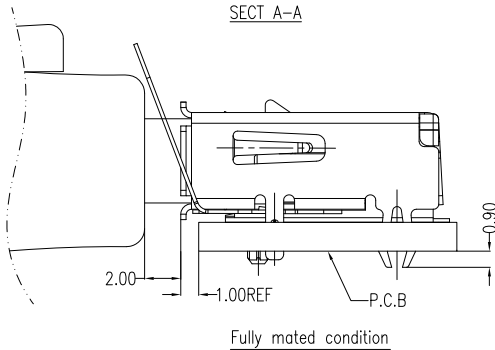
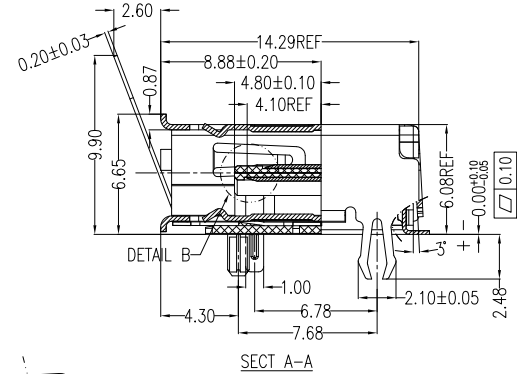
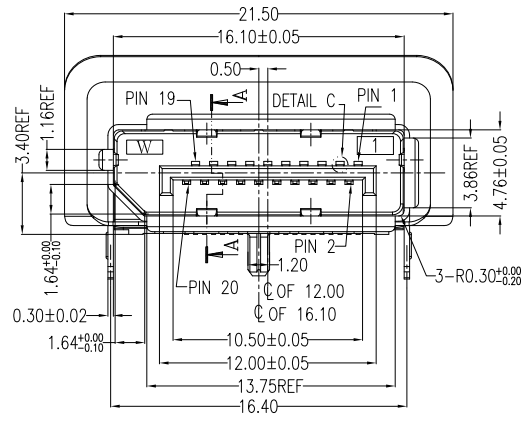
***How To Order**

WDPE-20F3L1BCU 3

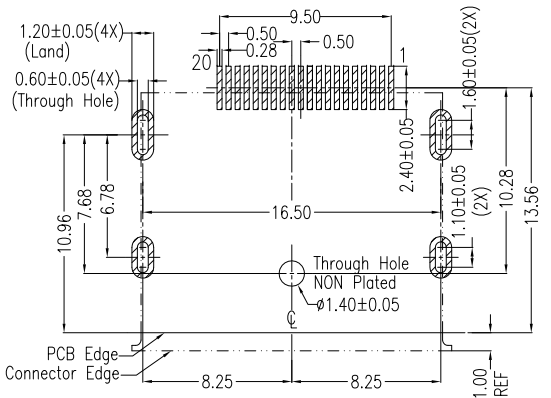
- Series NO. _____
- NO. of Contacts _____
- Au: A:>0.8u" _____
- D:15u" F:30u" _____
- 3: SMT Type _____
- L:LCP _____
- 3:Tray _____
- Blank:No Mark _____
- U:Lead Free _____
- C:With EMI Clip _____
- B:Brass _____
- 1:Black _____



Detail: C
Scale 10:1



Fully mated condition



P.C.B Layout(T=1.60mm)
COMPONENT SIDE

REV	Modify Contact Plating: Ni (40u"Min) → Ni (50u"Min)			Drawing By		Date		WIN WIN PRECISION IND. CO., LTD.	
Units	mm	Scale	1:1	WWY	03/12-'21	TEL: 886-2-22994155		FAX: 886-2-22994157	
Tolerance Unless Otherwise Specified				Reviewed By	Charles	Date	03/12-'21	Date	03/12-'21
.X ~ ±0.35				Approval By	Nancy	Date	03/15-'21	Sheet	1 of 1
.XX ~ ±0.25				Third Angle Projection		Title		DisplayPort Receptacle (Female)	
.XXX ~ ±0.15				Drawing No.		WDPE-20PS-AN-N110		REV D	
Angle ~ ± 3°									