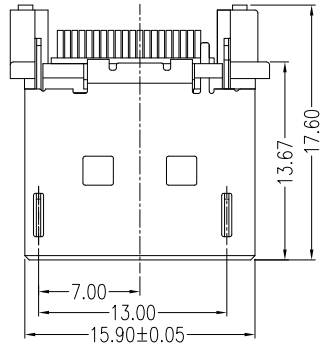


REV.	ECN.NO.	DATE
A	RELEASED	05/05-'18



Pin No.	Signal Type	Pin No.	Signal Type
1	Out	11	GND
2	GND	12	Out
3	Out	13	CONFIG
4	Out	14	CONFIG
5	GND	15	I/O
6	Out	16	GND
7	Out	17	I/O
8	GND	18	In
9	Out	19	PWR RTN
10	Out	20	PWR Out

NOTES:

***Material**

Body: LCP, UL 94V-0 Rated; Color: Black.
 Shield: Brass.
 Plating: Nickle(40u" Min.) Plating .
 Contact: Phosphor Bronze .
 Plating: Gold plating on contact area;
 Tin(100u" Min.) plating on solder tail;
 Nickel(40u" Min.) underplating overall.
 Spring: Stainless Steel(SUS 304).

***Electrical Specification**

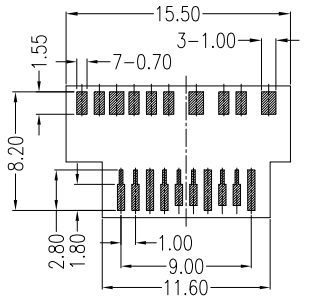
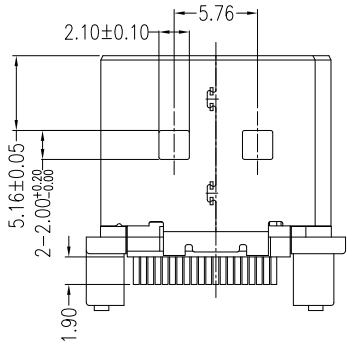
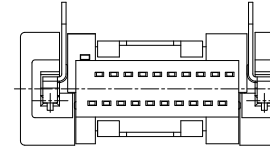
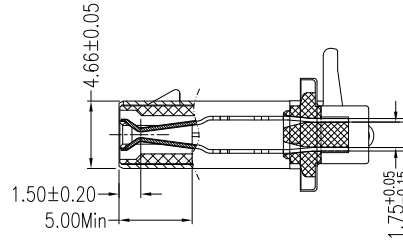
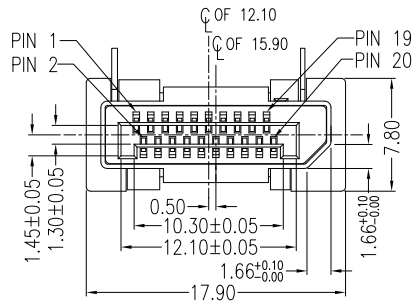
Operation Voltage: 40 VAC max.
 Current Rating: 0.5 Ampere per contact
 Contact Resistance: 30 mΩ max.
 Insulation Resistance: 100 MΩ min.
 Dielectric Withstanding Voltage: 500 VDC

***Environmental**

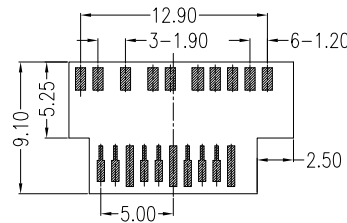
Operating Temperature: -20°C to +85°C

***How To Order**

9WDPC20XL1PU3
 Series NO. _____ 3:Tray
 No. of Contacts _____ U:Lead Free
 Gold X:3u" _____ P:Phosphor Bronze
 L:LCP _____ 1:Black



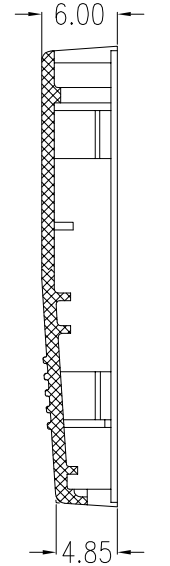
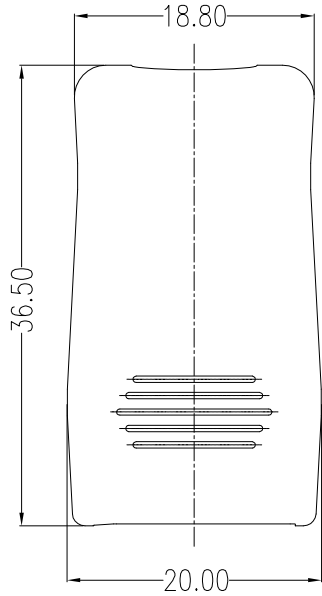
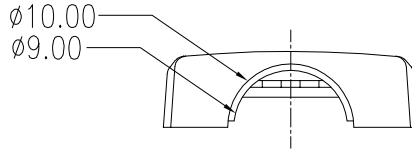
PCB LAYOUT T=1.60mm(Front View)
COMPONENT SIDE



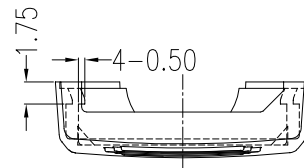
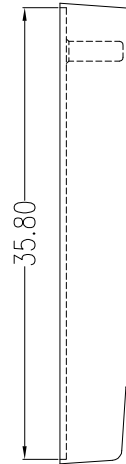
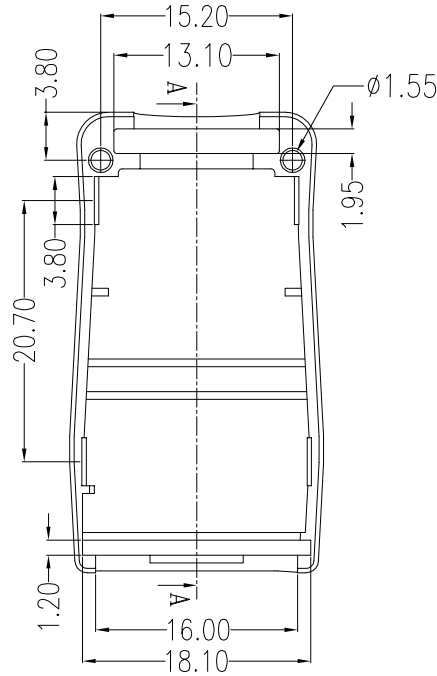
PCB LAYOUT T=1.60mm(Back View)
COMPONENT SIDE

REV				Drawing By		Date		WIN WIN PRECISION IND. CO., LTD.			
Units	mm	Scale	3:2	ZZC	05/05-'18	WINNING		TEL: 886-2-22994155		FAX: 886-2-22994157	
Tolerance Unless Otherwise Specified				Reviewed By	Date	Date	05/05-'18	Title	DisplayPort Plug (Compound)		
.X ~ ±0.35				LDF	05/05-'18	Sheet	1 of 1				
.XX ~ ±0.25				Approval By	Date	Third Angle Projection					
.XXX ~ ±0.15				Nancy	05/09-'18						
Angle ~ ± 3°								Drawing No.	WDPC-20PS-AN-N127	REV	A

REV.	ECN.NO.	DATE
A	RELEASED	03/02-'20
B	1.Add Color 2.Modify Material	06/29-'21



SECTION A-A



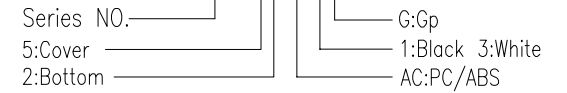
NOTES:

*Material

- COVER: PC/ABS ·UL94-HB
- Color: Black/White

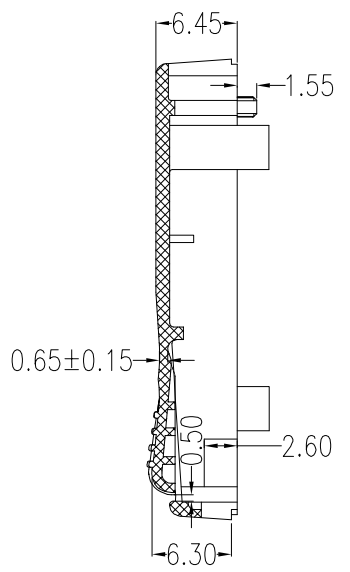
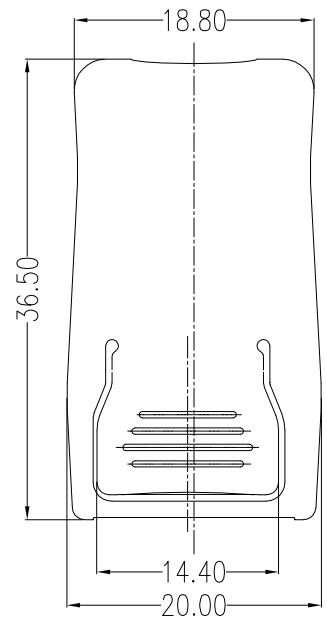
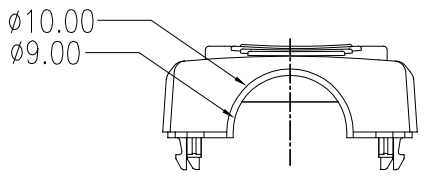
*How To Order

7WDPC52AC1G

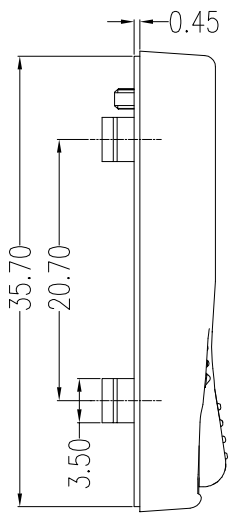
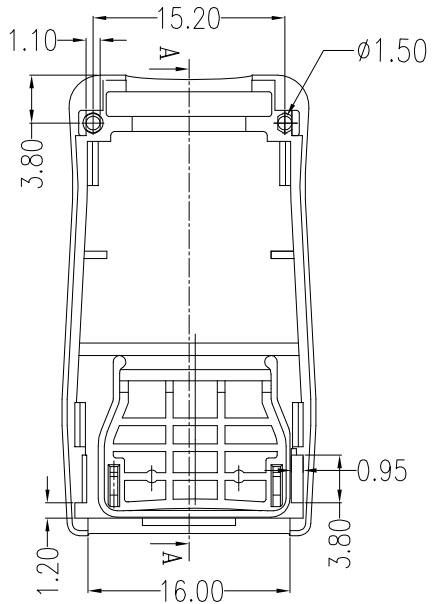


REV	1.Add white specifications		2.Modify Material:Nylon66 → PC/ABS		Drawing By	Date	WIN WIN PRECISION IND. CO., LTD.		
Units	mm	Scale	5:3		ZYM	06/30-'21		TEL: 886-2-22994155 FAX: 886-2-22994157	
Tolerance Unless Otherwise Specified					Reviewed By	Date	Date	Title DisplayPort BOTTOM Cover	
.X ~ ±0.35					Charles	06/30-'21	Date		
.XX ~ ±0.25					Approval By	Date	Sheet		
.XXX ~ ±0.15					Nancy	07/12-'21	1 of 1		
Angle ~ ± 3°							Third Angle Projection		
								Drawing No. WDFPC-7-AN-N135	REV B

REV.	ECN.NO.	DATE
A	RELEASED	03/02-'20
B	1.Add Color 2.Modify Material 3.Modify View 4.Add Dimension	06/29-'21

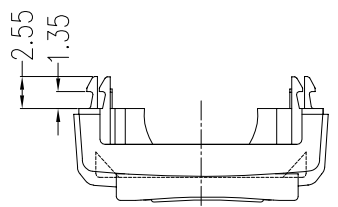
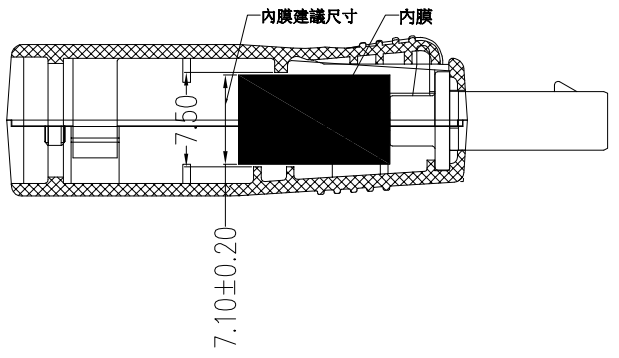


SECTION A-A



NOTES:
 *Material
 1. COVER: PC/ABS ·UL94-HB
 2. Color: Black/White

*How To Order
 7WDPC51AC1G
 Series NO. _____ G:Gp
 5:Cover _____ 1:Black 3:White
 1:Top _____ AC:PC/ABS



REV	1.Add white specifications	2.Modify Material:Nylon66	PC/ABS	3.Modify View	4.Add Dimension
Units	mm	Scale	5:3	Drawing By	Date
				ZYM	06/30-'21
Tolerance Unless Otherwise Specified				Reviewed By	Date
.X	~	±0.35		Charles	06/30-'21
.XX	~	±0.25		Approval By	Date
.XXX	~	±0.15		Nancy	07/12-'21
Angle	~	± 3°			

WIN WIN PRECISION IND. CO., LTD.
 TEL: 886-2-22994155 FAX: 886-2-22994157

Date: 06/29-'21
 Sheet: 1 of 1
 Title: DisplayPort TOP Cover
 Third Angle Projection

Drawing No. WDP-7-AN-N134 REV B