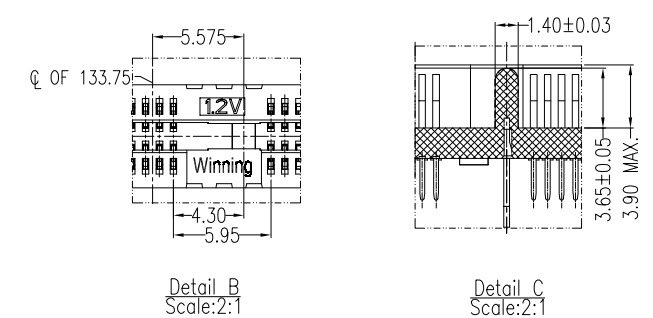
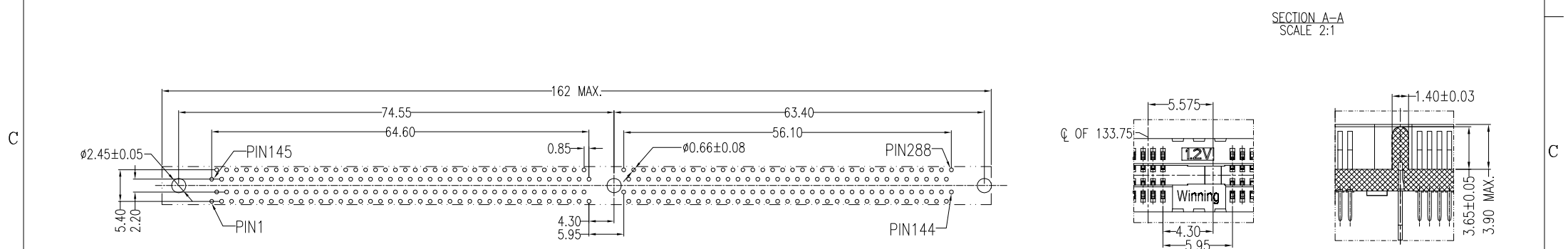
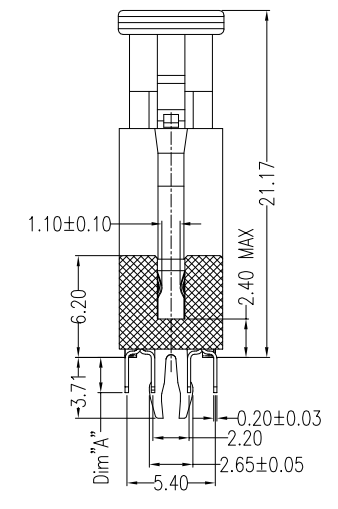
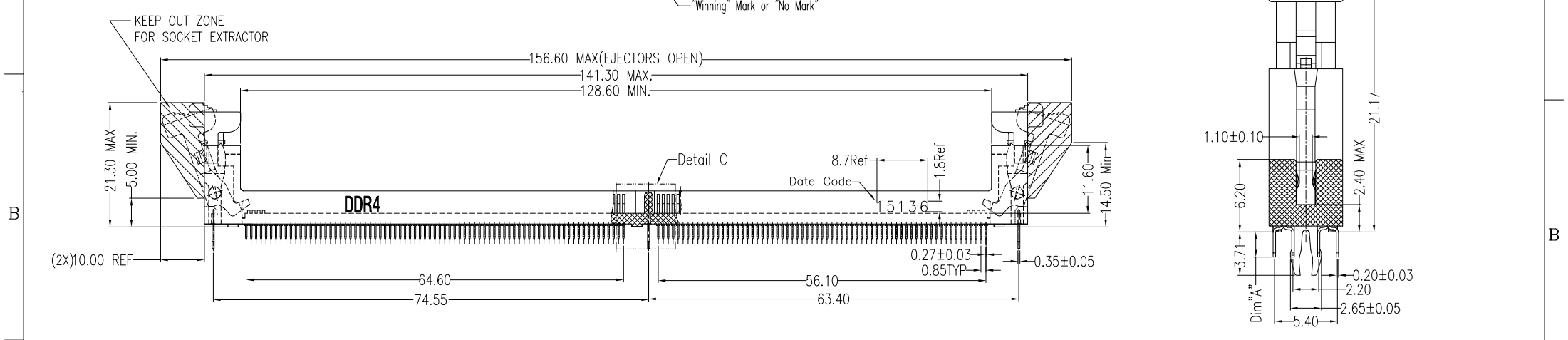
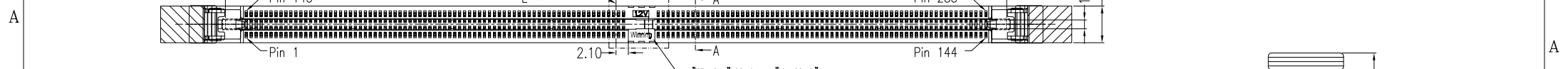


1 2 3 4 5 6 7 8

REV.	ECN.NO.	DATE
A	RELEASED	04/18-'14
G	Add color: 3:White 7:Green	01/17-'19
H	Modify Body&Ejector struture	06/24-'20



DATE CODE	DESCRIPTION
15 13 6	Saturday
	13 Weeks
	Year

Units	mm	Scale	1:1	Drawing By	Date	WIN WIN PRECISION IND. CO., LTD.	
Tolerance Unless Otherwise Specified				LZX	06/24-'20	WINNING TEL: 886-2-22994155 FAX: 886-2-22994157	
.X	~	±0.35		Reviewed By	Date	Date	06/24-'20
.XX	~	±0.25		LDF	06/29-'20	Sheet	1 of 2
.XXX	~	±0.15		Approval By	Date	Title	DDR4-288P 0.85mm Pitch DIP Ejector Type
Angle	~	± 3°		Nancy	07/01-'20	Third Angle Projection	
						Drawing No.	WDD4S-288PS-AN-W113
						REV	H

1 2 3 4 5 6 7 8

