

REV.	ECN.NO.	DATE
A	RELEASED	01/06-'03
G	Modify SPEC	10/20-'21
H	Modify the description	11/21-'22

NOTES:

***Material**
 Body: PPS, UL 94V-0.
 Contacts: Phosphor Bronze.
 Plating: Au Plating On Contact Area.
 Sn(100u" Min.) Plating On Solder Tail.
 Ni(50u" Min.) Underplating Overall.

***Mechanical**
 Insertion Force: 196 Grams Max.
 Withdrawal Force: 28 Grams Min.
 Contact Retention: 1 lb. Min.
 Durability: 100 Cycles.

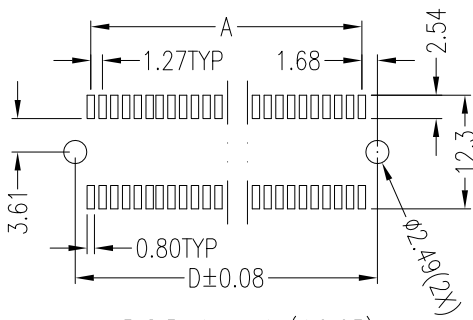
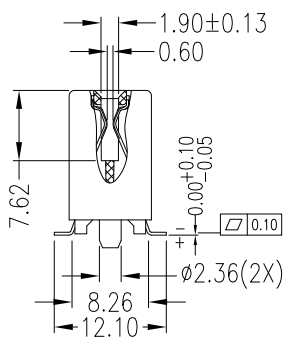
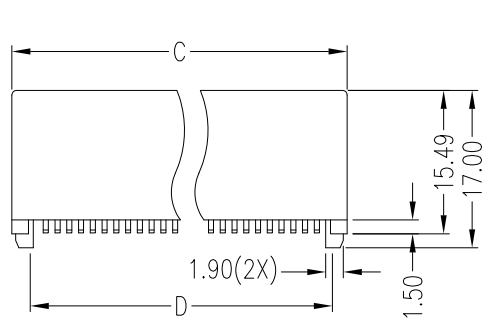
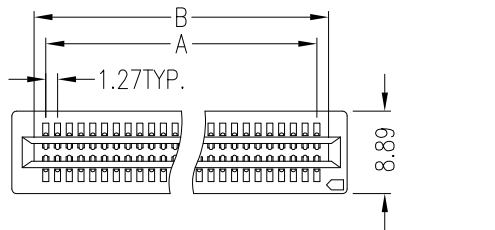
***Electrical Specification**
 Current Rating: 1 Ampere.
 Contact Resistance: 30 Milliohms Max.
 Insulation Resistance: 1000 Megohms Min.
 Dielectric Withstanding Voltage: 500 VAC.

***Environmental**
 Operating Temperature: -55°C To +105°C.

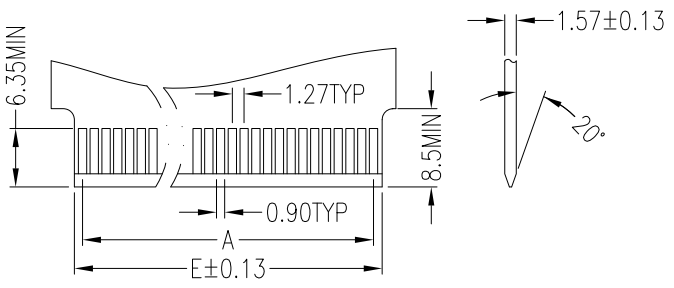
***How To Order**

W2C-XXXA152P1PU

- U: Lead Free
- P: Phosphor Bronze
- 1: Black
- P: PPS
- 2: Short Posts
- 5: SMT Type
- 1: One Card Slot
- Gold A: Flash
D: 15u" F: 30u"
- NO. of Contacts



P.C.B. Layout (±0.05)



Daughter Card Requirements (±0.05)

	DIM"A"	DIM"B"	DIM"C"	DIM"D"	DIM"E"
20 Pin	11.43	13.97	17.15	14.79	13.72
30 Pin	17.78	20.32	23.50	21.14	20.07
40 Pin	24.13	26.67	29.85	27.49	26.42
50 Pin	30.48	33.02	36.20	33.84	32.77
60 Pin	36.83	39.37	42.55	40.19	39.12
80 Pin	49.53	52.07	55.25	52.89	51.82
100 Pin	62.23	64.77	67.95	65.59	64.52

REV	Modify the description			Drawing By	Date	WIN WIN PRECISION IND. CO., LTD.	
Units	mm	Scale	1:1	Rainy	11/21-'22	TEL:886-2-22994155 FAX:886-2-22994157	
Tolerance Unless Otherwise Specified				Reviewed By	Date	Date	11/21-'22
.X ~ ±0.35				Rosh	12/02-'22	Sheet	1 of 1
.XX ~ ±0.25				Approval By	Date	Title	
.XXX ~ ±0.15				Nancy	12/06-'22	MCA 1.27mm SMT Type (Short Posts)	
Angle ~ ± 3°						Third Angle Projection	
						Drawing No.	MCA-ALLPS-AN-N156
						REV	H